

Electric Powered Pallet Truck **BLUE GIANT**[®]

EPJ-30

Upgrade your manual pallet truck. No more pushing, pulling and pumping.

CAPACITY

- 3000 lb (1361 kg)

BATTERY

- 24-volt 65 AH AGM maintenance-free batteries
- 110V AC plug-in automatic charger

SPEED

- 24-volt transistor travel control with high-efficiency permanent magnet drive motor
- **EMPTY:** 0 - 2.8 mph (4.8 kph)
- **LOADED:** 0 - 2.5 mph (4 kph)

WEIGHT

- 450 lb (204 kg) (with battery and charger)

TIRES / WHEELS

- **DRIVE:** 8.3" x 2.8" (211 mm x 71 mm) polyurethane
- **LOAD:** 2.9" x 3.5" (74 mm x 89 mm) polyurethane

HYDRAULICS

- Pump unit with DC motor, solenoid, and gear pump
- Permanent magnet pump motor and chrome-plate lift cylinder provides smooth lifting and lowering

ELECTRICAL

- Curtis[®] travel control with matching permanent magnet drive motor
- Electric braking
- Quick disconnect EPD power cut off
- Battery discharge indicator

BRAKES

- Electromagnetic disc brake provides safe and secure stops under all conditions

OPERATION / CONTROLS

- Ergonomic operator handle with travel, lift, and lower functions
- Angle grips allow easy operation with either hand
- Wrap-around guard
- Reversing switch
- Thumb control and horn
- Low mounted tiller arm offers excellent operator comfort and minimum steering effort

TRANSMISSION

- 24-volt permanent magnet DC drive motor with rare earth neodymium magnets increases efficiency and duty cycle



ACCESSIBILITY

- Removal of two piece power head cover exposes major components for easy inspection and maintenance

OPTIONAL EQUIPMENT

- 85 AH battery
- Fork width: 22" (559 mm)
- Fork length: 36" (914 mm) and 48" (1219 mm)
- 48" (1219 mm) or 60" (1524 mm) tall load backrest
- Tool tray and load restraint
- Scale truck



Battery discharge indicator, key switch, and emergency power disconnect.

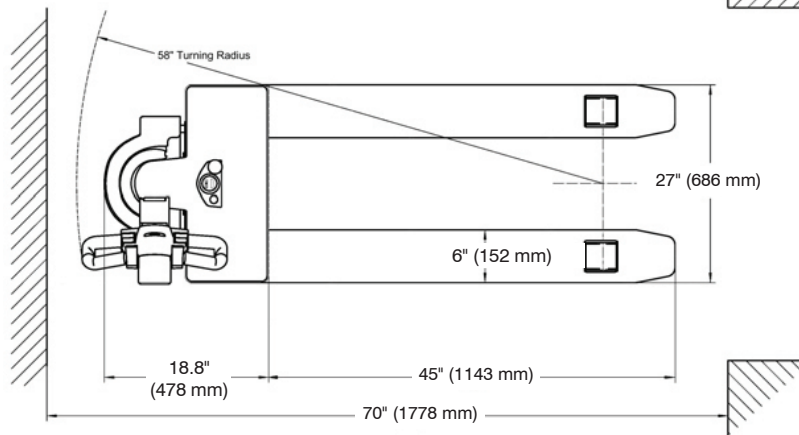
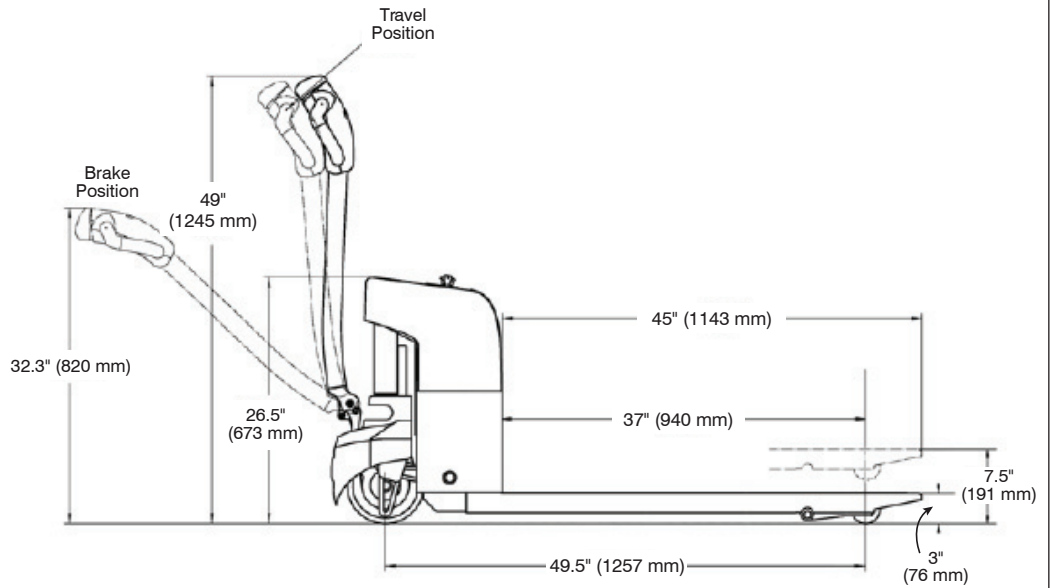


Ergonomic operator's handle

Travel - Variable

Empty	0 to 2.8 mph
Loaded	0 to 2.5 mph

Dimensions



479 Brant County Rd 18, Brantford, ON. N3T 5N9
 1-800-543-8929
 sales@liftway.on.ca - www.liftway-forklifts.ca