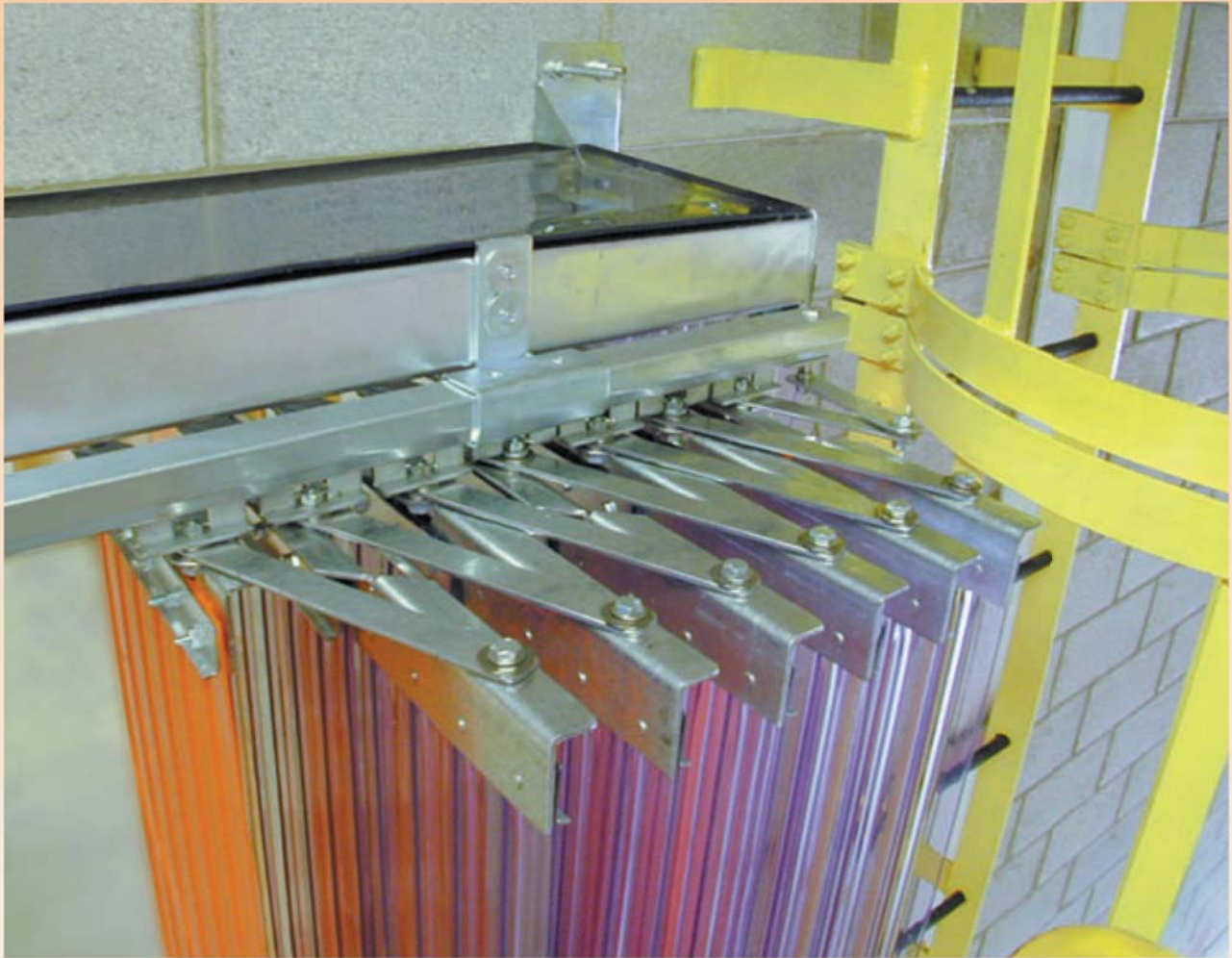


**SAVE-T<sup>®</sup>**

# ACCORDION STRIP DOORS



EXCELLENCE IN DESIGN



**SAVE-T®**

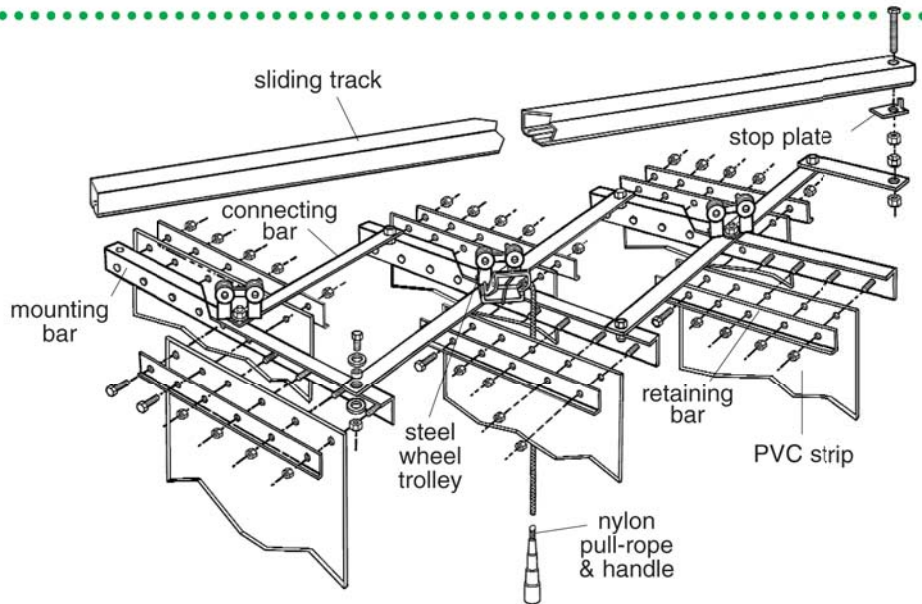
# ACCORDION STRIP DOORS

## FEATURES

- Steel Wheel Trolleys
- Galvanized Steel Hardware
- Wall, Header or Bracket Mounted
- Easy to Install
- Easy to Maintain

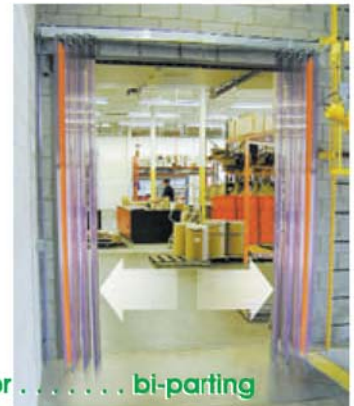
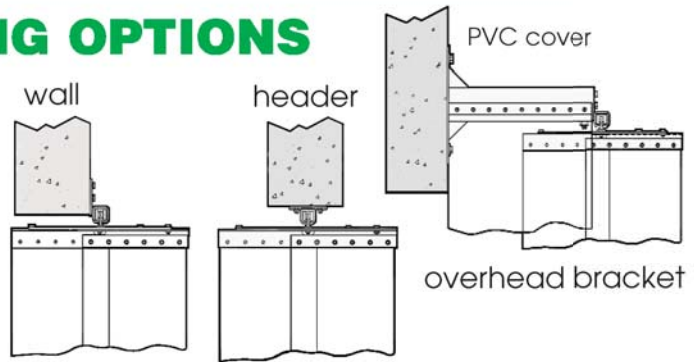
This new revolutionary Save-T ACCORDION STRIP DOOR can be used when a sliding strip door suits your application, but there are obstructions on both sides of the doorway opening, such as shelving or a wall. This uniquely constructed sliding strip door is your most economical solution. It is also the most cost effective way to cut your heating or cooling costs.

Just a light tug on the nylon pull-rope opens the door, moving the door to one side of the opening, or the panels can bi-part to both sides, allowing easy access for fork lifts, hand trucks, large equipment or fragile products.



## MOUNTING OPTIONS

Mounting is generally determined by the type of door being used. Overhead door models include a PVC cover that acts as a thermal barrier.



**Liftway**  
MATERIAL HANDLING SOLUTIONS

1-800-543-8929  
Brantford, ON. N3T 5N9